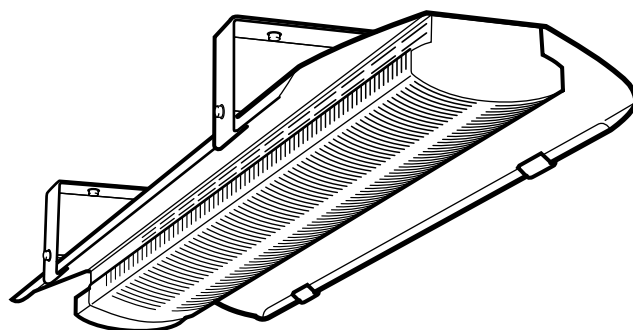
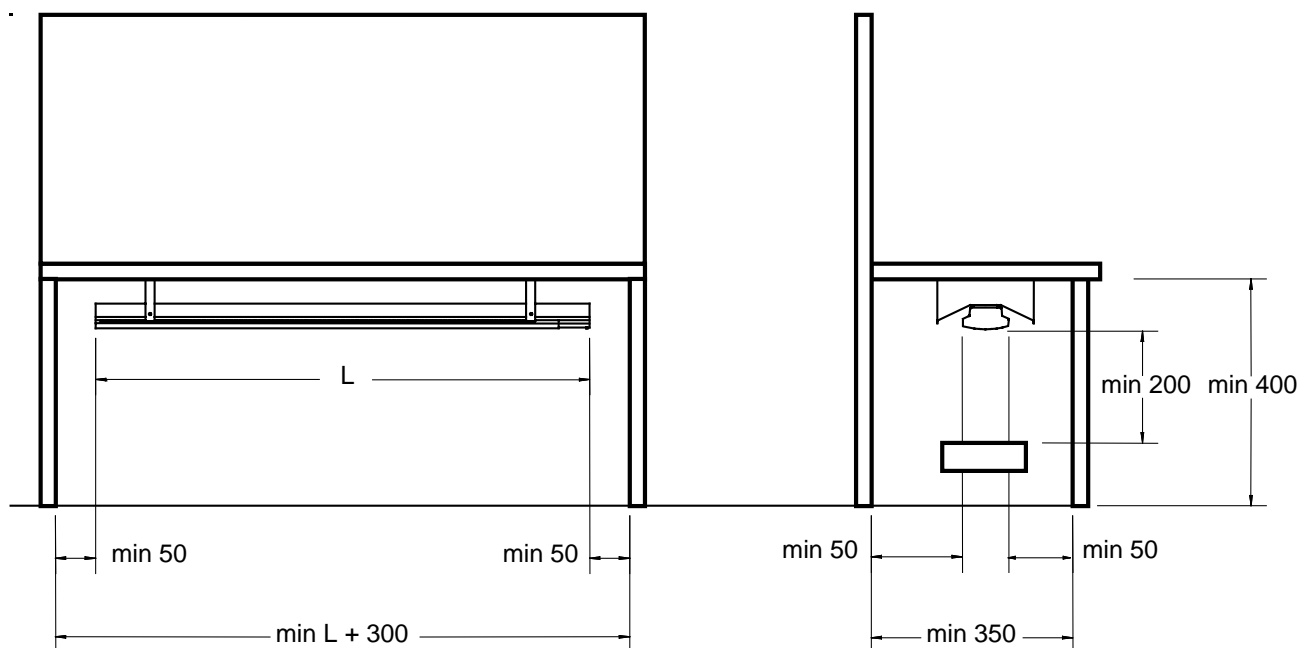


Original instructions

# **Bänkvärmare / Bench heater SH/ Обогреватель скамеек SH**



# Bänkvärmare / Bench heater SH / Обогреватель скамеек SH



	L [mm]
SH17521	700
SH17531	700
SH25021	1000
SH25031	1000
SH37521	1500
SH37531	1500

## Tekniska data / Technical data

Typ Type	E-nr	Effekt Output [W]	Spänning Voltage [V]	Ström Amperage [A]	LxHxB LxHxW [mm]	Vikt Weight [kg]
SH17521	85 734 02	175	230V~	0.8	700x110x200	1.4
SH17531	85 734 03	175	400V~	0.4	700x110x200	1.4
SH25021	85 734 04	250	230V~	1.1	1000x110x200	1.9
SH25031	85 734 05	250	400V~	0.6	1000x110x200	1.9
SH37521	85 734 06	375	230V~	1.6	1500x110x200	2.9
SH37531	85 734 07	375	400V~	0.9	1500x110x200	2.9

## Технические параметры

Модель	Мощность [кВт]	Напряжение [В]	Ток [А]	Длина x Ширина x Высота [mm]	Вес [кг]
SH17521	175	230В~	0.8	700x110x200	1.4
SH17531	175	400В~	0.4	700x110x200	1.4
SH25021	250	230В~	1.1	1000x110x200	1.9
SH25031	250	400В~	0.6	1000x110x200	1.9
SH37521	375	230В~	1.6	1500x110x200	2.9
SH37531	375	400В~	0.9	1500x110x200	2.9

## Assembly and operating instructions

### Area of use

Bench Heaters are designed for mounting underneath church pews, waiting-room benches, etc. The heaters are dimensioned to emit comfortable heat to the seat itself, the floor beneath it, and the air around the bench, thereby making it possible to preserve the relative coolness of the church while the heating comfort for the visitors remains excellent.

The heaters are **CE** marked and comply with the EMC directive. Protection class IP 20 for use in dry rooms.

### Mounting

The heaters shall be mounted horizontally with the included mounting brackets. The holes in the brackets is  $\varnothing 6$  mm and a c-c distance of 90 mm. Mount the brackets underneath the bench and then fit the heater into the brackets.

Fix the heater to the brackets by using the the premounted screws on the bracket. The brackets can be mounted with a flexible c-c distance.

*Note! The heater may not be angled or pointing upwards.*

### Electrical installation

The electrical installation should be carried out by a qualified electrician in conformity with prevailing regulations. The appliance should be preceded by a triple pole switch with at least 3 mm breaking gap. The connection box contains terminal blocks, 5x4 mm<sup>2</sup>. This makes it possible to connect several heaters in parallel. In the connection box there are two knockouts  $\varnothing 18$  mm.

Connection 230V~:

The heating element is connected by using terminal L1 and N. L2 and L3 are only used for parallel connection to the next heater.

Connection 400V~:

The heating element is connected by using terminal L1 och L2. L3 and N are only used for parallel connection to the next heater.

### Maintenance

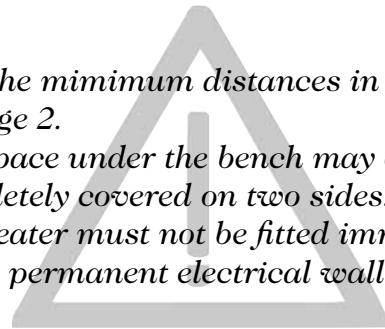
In all electrical heating appliances, small clicks can occur due to movement when the material expands and contracts with changes in temperature.

### Overheating

*NOTE! The unit must not be covered fully or partially with clothes or similar materials, as overheating can result in a fire risk!*

### Safety

- Note the minimum distances in the figure on page 2.
- The space under the bench may only be completely covered on two sides.
- The heater must not be fitted immediately below permanent electrical wall sockets.



**Main office**

Frico AB  
Box 102  
SE-433 22 Partille  
Sweden

Tel: +46 31 336 86 00  
Fax: +46 31 26 28 25  
mailbox@frico.se  
www.frico.se

**For latest updated information and information  
about your local contact: [www.frico.se](http://www.frico.se)**